

Technical Data Sheet (V-1)

ADoST SDS

A manually operated dispenser for one component sealant

14th June 2024

Product Description

ADoST SDS is a single cartridge dispensing system designed and developed for manual dispensing of single component sealants such as Silicone and PU. ADoST SDS improves application efficiency while nearly eliminating worker fatigue. With ADoST SDS, end users can apply sealants ergonomically with just the press of a foot switch. It is especially recommended for applications that requires precise flow control and or very thin bead size.



Applications

Standard caulking dispensing guns are designed to apply beads that are large for many applications. However, when end use demand thin beads of 2mm or less, ADoST SDS proves to be the most effective dispensing solution. While offering thin beads, this equipment also provides precise dispensing control through ADoST Pen and suitable needle type.

Another end application that perfectly suits implementing ADoST SDS is in electronic industry where precise beads must be applied on complex geometry of PCBs. Such applications demand that workmen applies the sealant in a seated position. Traditional caulking guns prove inadequate and cumbersome in such situations and can be easily replaced with ADoST SDS with Pen and Needle

Product Features

- Ergonomical
- Height adjustable bench top stand.
- Upgradable to incorporate Valve and Sensor

Technical Data

Model Number	ADoST-SDS
Size (Metric)	400mm x 300mm x 770mm
Weight	13 Kg
Operating Air Pressure	3 Bar (Max.)
Ambient temperature range	10°C to +45°C
Response time	0.02s (Low viscosity)
Usage	Indoor use
Suitable for Adhesive Type	One Component Sealants
Minimum Dispense Size	0.020gm (Medium Viscosity)

System Includes

- Foot Switch
- 6mm pneumatic pipe of ½ meter
- Operation manual (only soft copy)
- Pneumatic Gun
- 8, 10 and 12mm hose connectors
- Mounting Plate

Accessories (Separate Purchase)

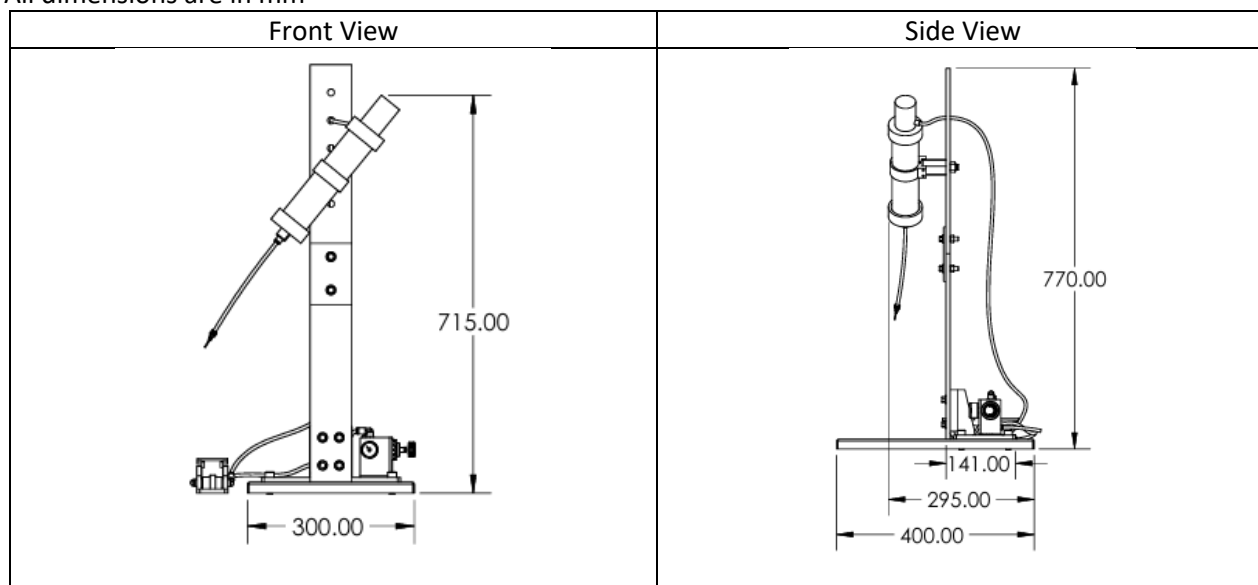
- ADoST Pen Holder
- ADoST Tube adaptor
- ADoST Pen
-

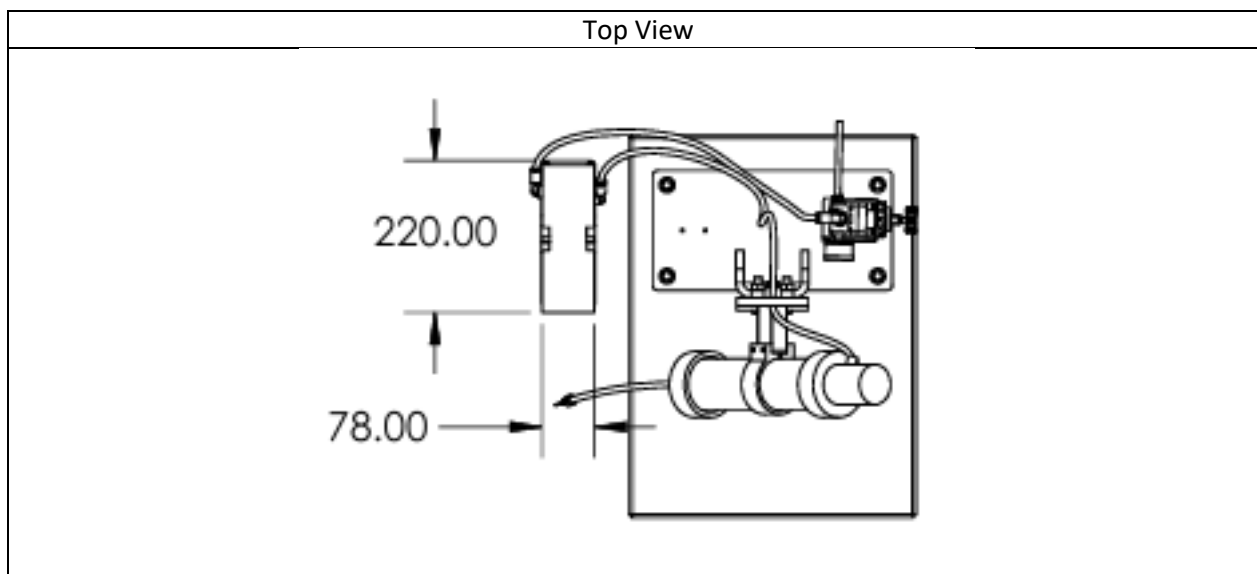
Consumables (Separate Purchase)

- ADoST Pinch Tube
- Nozzle
- ADoST Nozzle adaptor

Detailed Dimensions

All dimensions are in mm





Warranty

ADoST SDS is guaranteed against any defects in workmanship and material for a period of one year from the date of supply.

Customization

All ADoST dispensing equipment are designed to be flexible and specific customization may be possible against customer requests at added cost. However, only ADoST's R&D team is authorized to issue written confirmation/acceptance of any customization.

Disclaimer

1K2K Dosing and Dispensing Private Limited believes the technical advice provided by the company and the information contained herein is reliable and accurate. However, 1K2K Dosing and Dispensing Private Limited makes no warranties, expressed or implied nor should be inferred regarding the accuracy of the information. The user is responsible to competently test the product and determine the quality and suitability for their intended use. 1K2K Dosing and Dispensing Private Limited assumes no liability regarding the handling and use of this product