

# Technical Data Sheet (V-2)

## Pinch Valve Stand

An adjustable stand for ADoST Pinch Valve

17<sup>th</sup> June 2024

### Product Description

ADoST Pinch Valve Stand is a light weight and adjustable stand designed to secure Valve position best suitable for each end use. This stand is mounted on a flat, rectangular powder coated plate used as a foundation or support for Pinch Valve Stand. Mounting Plate is designed to evenly distribute the weight and load of the supported structure over a larger area, helping to absorb vibration generated during operation.



### Applications

Pinch Valve stand is ideal to be used with following ADoST machines

- ADoST CDS
- ADoST CDS+
- ADoST CDS-PRO
- ADoST PPS
- ADoST PPS-NXT

### Product Features

- Base plate for structural rigidity.
- Chrome plated rod.
- Adjustable horizontal and vertical height
- 360°rotation flexibility.

### Technical Data

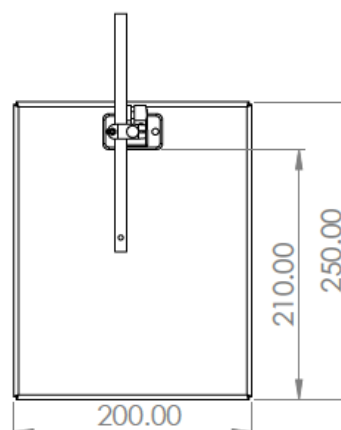
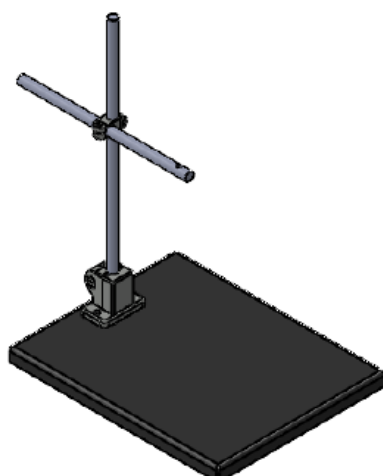
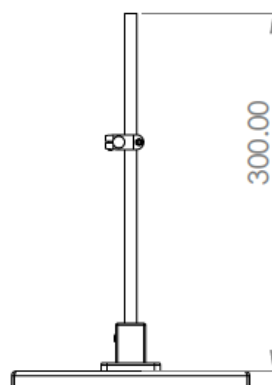
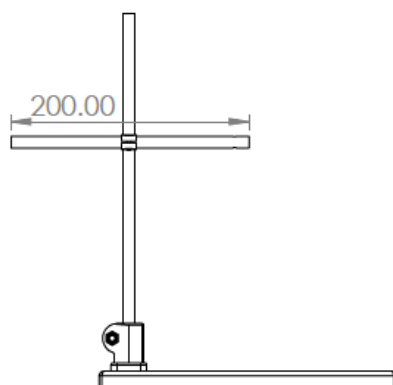
Model Number	<b>ADoST-PVS</b>
Size (Metric)	300x400x20mm
Weight	1.5 kg
Length	200mm
Width	250mm
Height	320mm
Vertical Adjustment	260mm (max. 280mm)
Horizontal Adjustment	160mm (max. 180mm)
Ambient temperature range	10°C to +45°C
Usage	Indoor use
Compatible with model	ADoST Pinch Valve

## System Includes

- Pinch valve stand

## Detailed Dimensions

All dimensions are in mm



## Warranty

ADoST CDS Pinch Valve Stand is guaranteed against any defects in workmanship and material for a period of one year from the date of supply.

## Customization

All ADoST dispensing equipment are designed to be flexible and specific customization may be possible against customer requests at added cost. However, only ADoST's R&D team is authorized to issue written confirmation/acceptance of any customization.

## Disclaimer

1K2K Dosing and Dispensing Private Limited believes the technical advice provided by the company and the information contained herein is reliable and accurate. However, 1K2K Dosing and Dispensing Private Limited makes no warranties, expressed or implied nor should be inferred regarding the accuracy of the information. The user is responsible to competently test the product and determine the quality and suitability for their intended use. 1K2K Dosing and Dispensing Private Limited assumes no liability regarding the handling and use of this product