



Technical Data Sheet (V-1.0)

ADoST Nozzle Adapter

For precision dispensing of One Component Sealants

20th Jan 2025

Product Description

ADoST Sealant Adapter is a precision dispensing device designed and manufactured to be used with 300ml one component cartridges and 600ml sachets. The Adapter fits directly on the 300ml cartridge while sachet fitment necessitates using sachet adapter. It is specifically designed to be used in applications where a standard 3mm bead nozzle is too large and thinner beads need to be dispensed.

When combined with appropriately sized ADoST needles (supplied as a separate part number), it reduces material wastage significantly for all bead sizes measuring less than 3mm.



Applications

- Sealing
- Bonding

Product Features

- Engineered for controlled flow
- Accommodates ADoST needles for beads as thin as 0.5mm

Technical Data

Model Number	ADoST-NZL-ADPT-F01-ML
Size (Metric)	31.7mm X 22mm
Color	Black
Material	Engineered Plastic
Weight	6.8g
Recommended for	Sealants
Recommended Cartridge	300ml Cartridge and 600ml Sachet

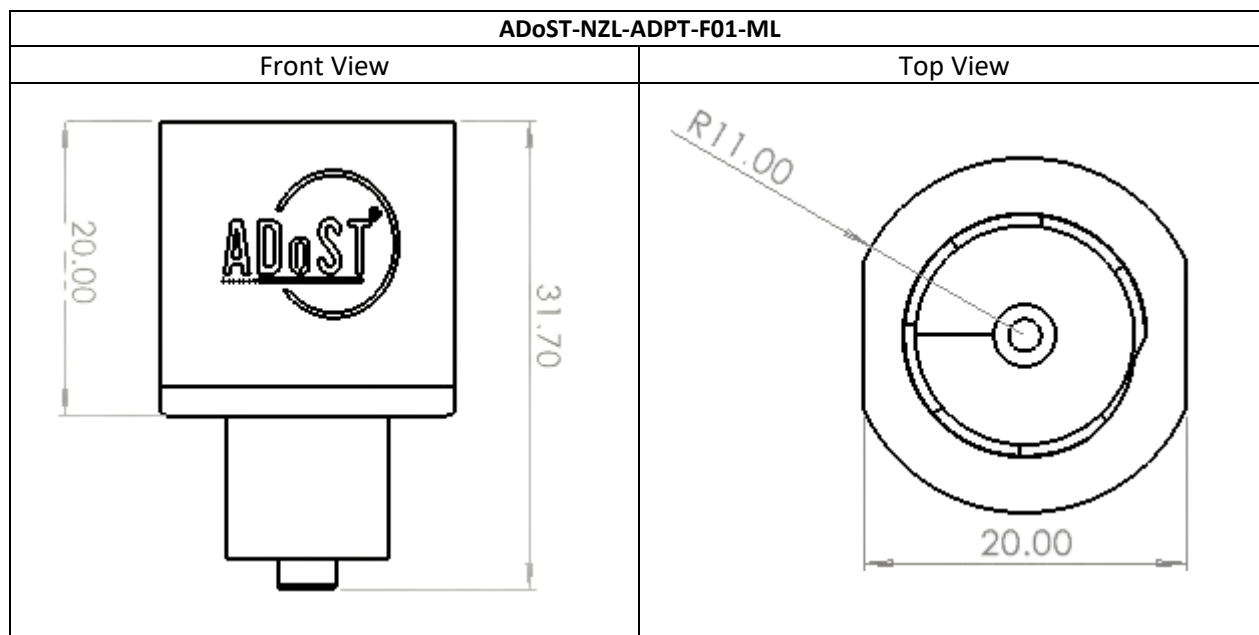
Accessories (Separate Purchase)

- Nozzle



Detailed Dimensions

All dimensions are in mm



Disclaimer

1K2K Dosing and Dispensing Private Limited believes the technical advice provided by the company and the information contained herein is reliable and accurate. However, 1K2K Dosing and Dispensing Private Limited makes no warranties, expressed or implied nor should be inferred regarding the accuracy of the information. The user is responsible to competently test the product and determine the quality and suitability for their intended use. 1K2K Dosing and Dispensing Private Limited assumes no liability regarding the handling and use of this product