

Technical Data Sheet (V-1)



ADoST Anaerobic Adapter

Manufactured for precision dispensing of Anaerobic adhesives

20th Dec 2024

Product Description

ADoST Anaerobic Adapter is a precision dispensing device designed and manufactured to be used with 50ml and 250ml bottles of Anaerobic and UV Adhesives. When combined with appropriately sized ADoST needles (supplied as a separate part number), it reduces material wastage by over 30% compared to traditional direct bottle dispensing methods.

It is built for durability and a single adapter is tested to support more than 600 bottles of a standard medium-strength Threadlocker (~9000cps).



Applications

- Threadlocking
- Retaining
- Threadsealing
- UV Gluing

Product Features

- Built to last
- Engineered for controlled flow

Technical Data

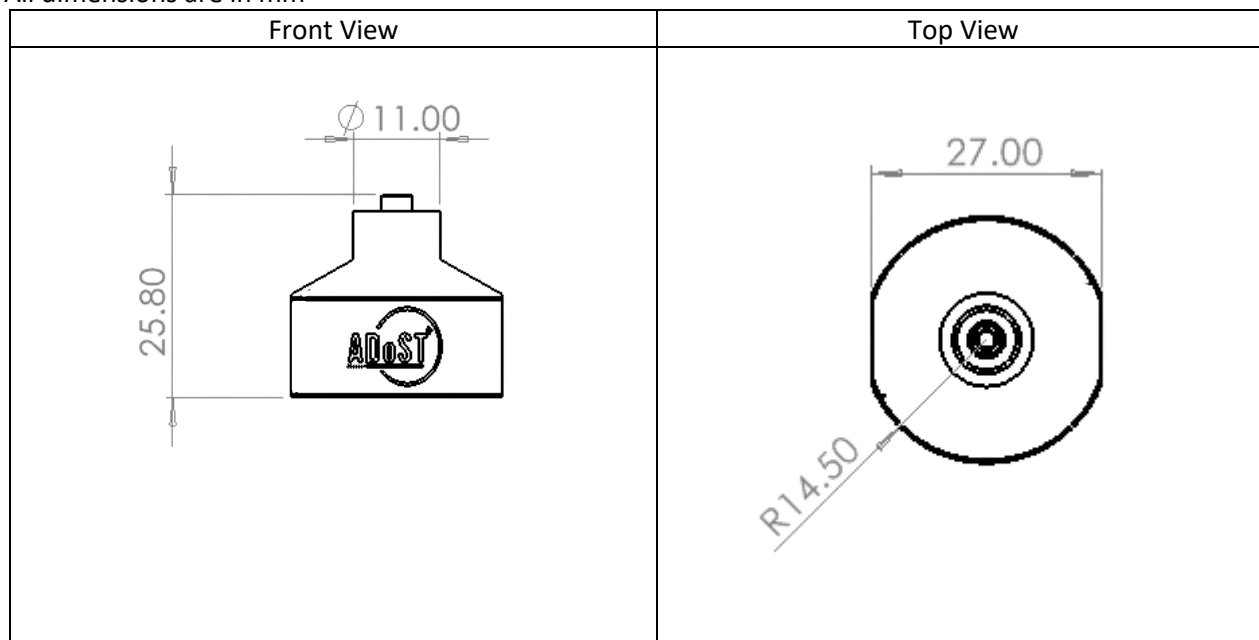
Model Number	ADoST-ADPT-ML- XXX
Size (Metric)	25.8mmx29mm
Color	Black
Weight	6.8g
Recommended for	Anaerobic & UV Adhesive

Accessories (Separate Purchase)

- ADoST Needle

Detailed Dimensions

All dimensions are in mm



Warranty

ADoST Anaerobic Adaptor is guaranteed against any defects in workmanship and material for a period of one year from the date of supply.

Customization

All ADoST dispensing equipment are designed to be flexible and specific customization may be possible against customer requests at added cost. However, only ADoST's R&D team is authorized to issue written confirmation/acceptance of any customization.

Disclaimer

1K2K Dosing and Dispensing Private Limited believes the technical advice provided by the company and the information contained herein is reliable and accurate. However, 1K2K Dosing and Dispensing Private Limited makes no warranties, expressed or implied nor should be inferred regarding the accuracy of the information. The user is responsible to competently test the product and determine the quality and suitability for their intended use. 1K2K Dosing and Dispensing Private Limited assumes no liability regarding the handling and use of this product